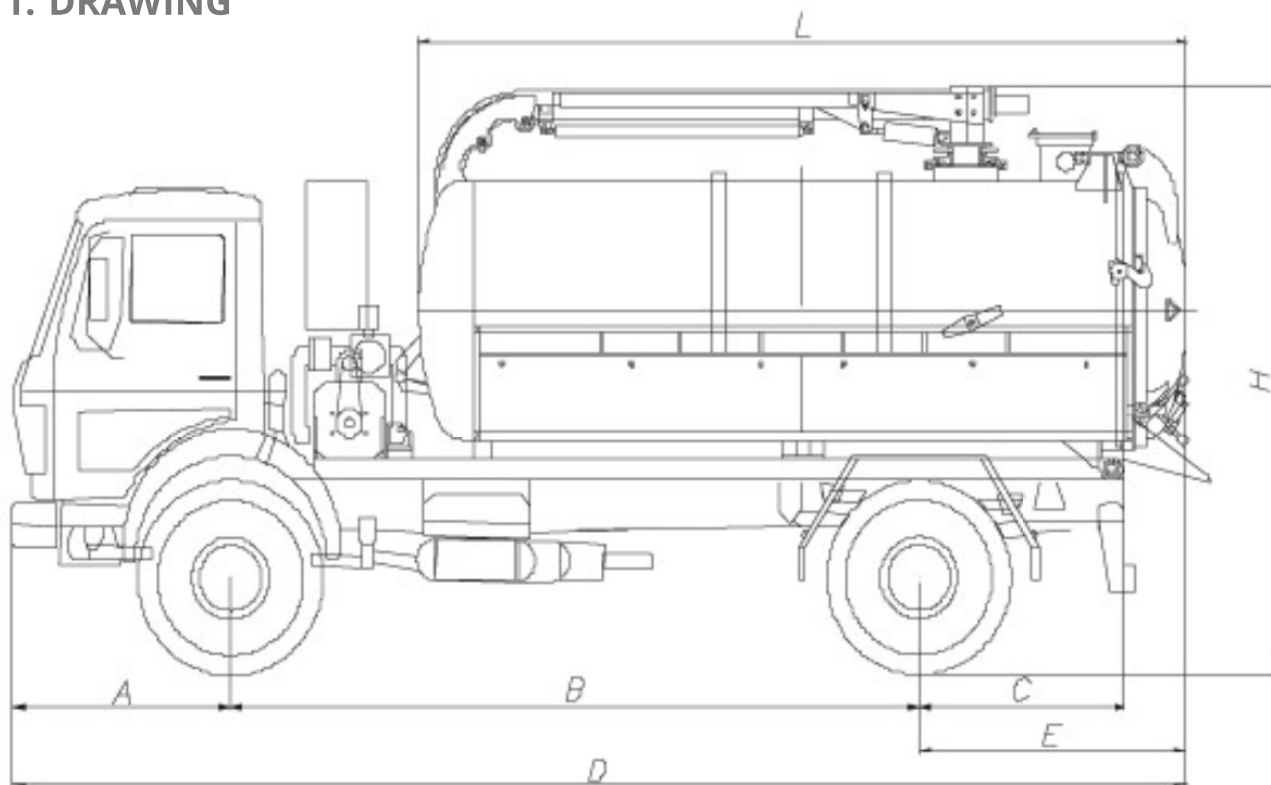


VACUUM TRUCK

1. DRAWING



2. MEASURES

Type			AFE			
Liquids waste tank volume	Cilindrical	m ³	min	4	max	16
Vacuum pump	Capacity	lit/min	min	8.000	max	53.000
	Vacuum/Pressure	%/bar	min	92/1	max	95/2
Dimensions	A	mm	min	1.300	max	1.600
	B	mm	min	2.500	max	4.200+1350
	C	mm	min	850	max	2.000
	D	mm	min	7.500	max	10.500
	E	mm	min	1.000	max	2.500
	H	mm	min	2.500	max	3.400
	L	mm	min	1.500	max	6.000
	Width	mm	min	1.600	max	2.500
Weigh of superstructure		kg	min	1.500	max	5.000
Weigh of nonloaded superstructure + basis vehicle		kg	min	4.000	max	13.000
Payload		kg	min	4.000	max	16.000
Recommended chassis	Totality allowed weight	kg	min	8.000	max	29.000
	Engine power	kw (hp)	min	95(130)	max	200(270)