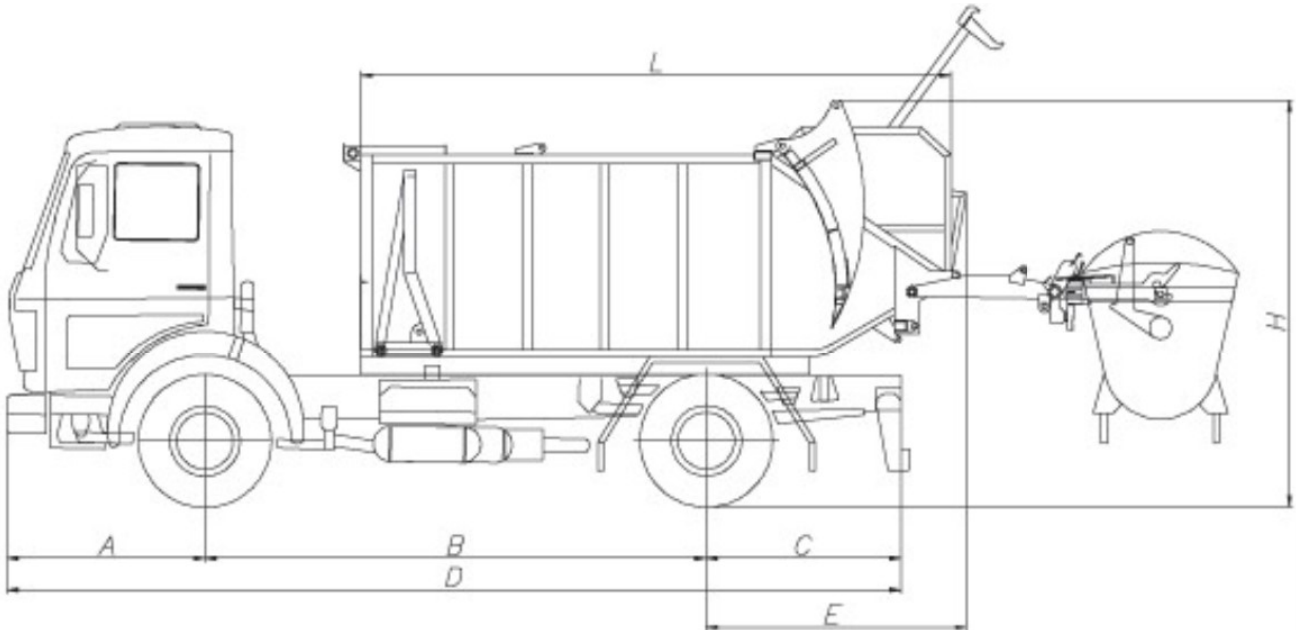


GARGBAGE TRUCK WITH PRESS LOADING TYPE S

1. DRAWING



2. MEASURES

Type		ASPP "MN"				
Body volume		m ³	min	7	max	10
Accepting hoof volume		m ³	min	0.8	max	1.1
Dimensions	A	mm	min	1.300	max	1.600
	B	mm	min	3.000	max	3.600
	C	mm	min	850	max	1.100
	D	mm	min	6.100	max	8.000
	E	mm	min	1.800	max	2.500
	H	mm	min	2.600	max	3.100
	L	mm	min	2.700	max	3.600
	F	mm	min	900	max	1.100
	Width	mm	min	2.300	max	2.500
Weight of superstructure		kg	min	2.800	max	3.500
Weight of nonloaded superstructure + basis vehicle		kg	min	6.000	max	9.000
Payload		kg	min	1.500	max	3.000
Compacting rate				5:1		5:1
Recommended chassis	Totally allowed weight	kg	min	8.000	max	12.000
	Engine power	kw (hp)	min	95(130)		-
	Wheelbase	mm		3.000		3.600